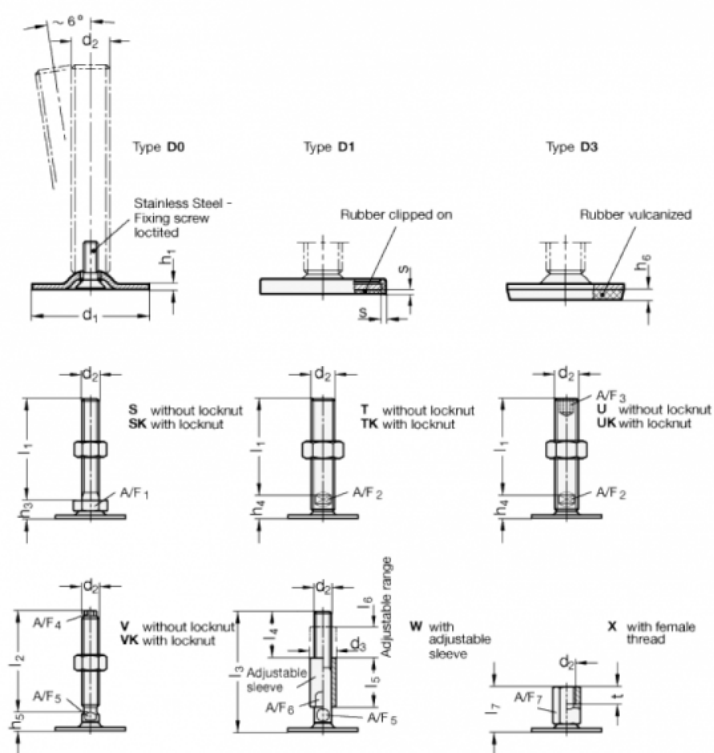


Article number: 204150M1028D1X
 Description: E+G levelling foot
 GN 41-50-M10-28-D1-X
 Note: X With female thread, External hexagon

Measures



- A/F7 = 14
- d1 = 50
- d2 = M10
- h1 = 2.5
- h6 =
- h7 = 28
- s = 2
- t = 10